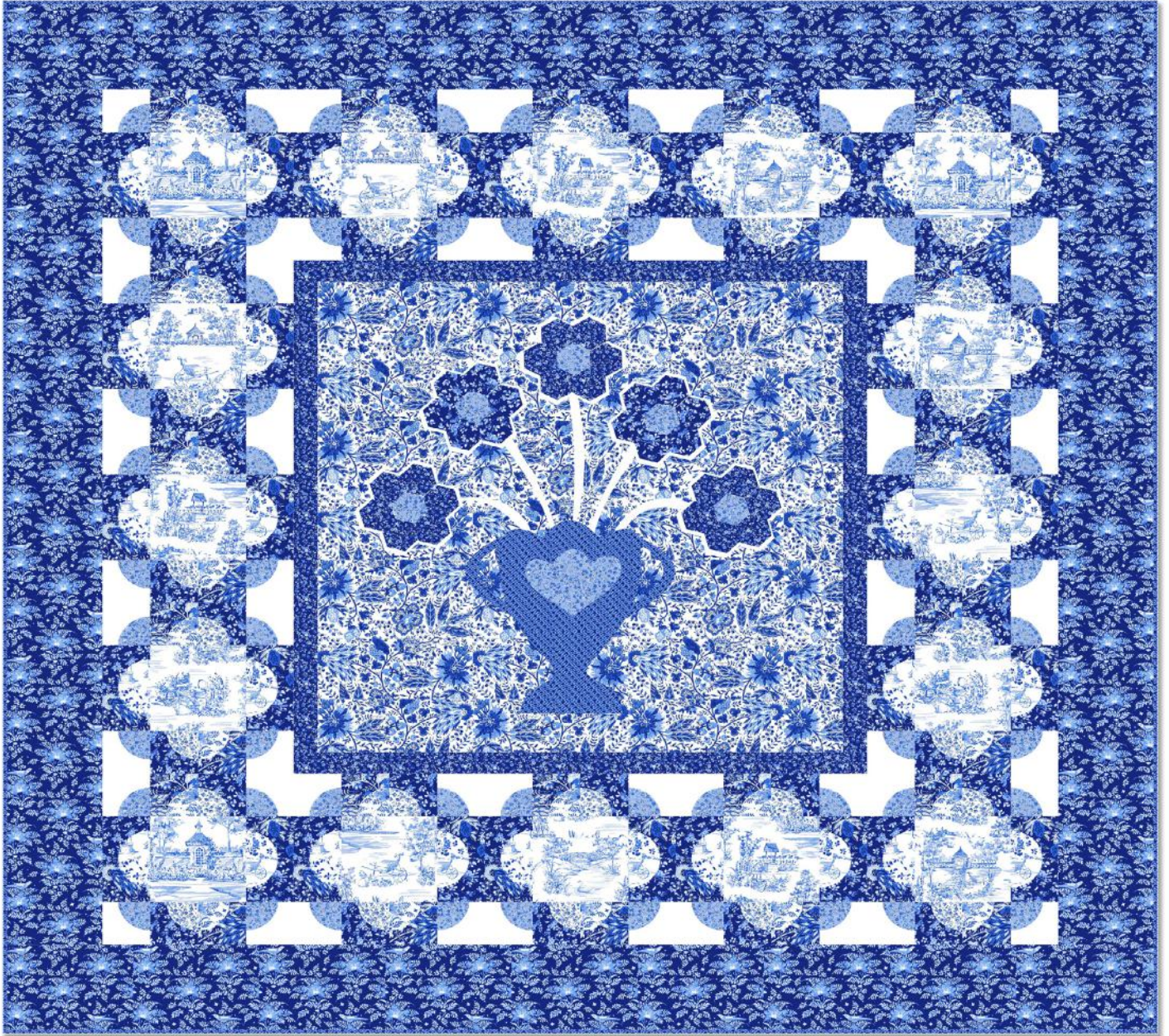


Anna's Blooms

Designed by Bethany Fuller

Featuring Williamsburg's Annabelle Collection

SIZE: 72" x 72"



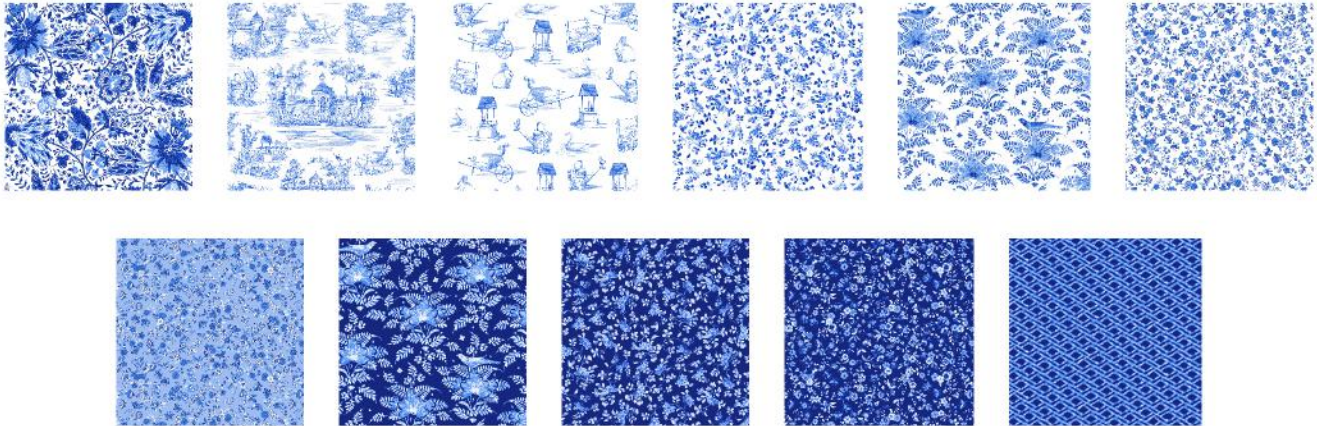
PLEASE NOTE: QUILT IMAGE SHOWN IS A DIGITAL REPRESENTATION, FABRIC LOOK MAY VARY ON YOUR PROJECT.
VISIT OUR *FREE PROJECT* SECTION ONLINE FOR ANY PATTERN UPDATES BEFORE STARTING QUILT PROJECT.



WINDHAM FABRICS

Anna's Blooms

Page 2



Fabric Requirements

1 yd solid white
1 yd center background (41578-2)
2/3 yd toile (41572-X)
1/4 yd each of 4 lights (41573-X, 41574-2, 41575-2, 41576-2)
1/2 yd light blue (41576-3)
2/3 yd each of 2 blues (41575-1, 41574-1)
Fat 1/4 of each for applique center (41576-1, 41577-1, 41574-1)
1/4 yd inner border (41576-1)
1 1/2 yds outer border (41575-1)
5/8 yd binding (41577-1)
4 1/2 yds backing
35 – 1 1/4" hexagon papers
30 – 1 1/2" hexagon papers
Mylar template plastic or freezer paper
Preferred bias stem method – 1/2" stems

Cutting Instructions

From the solid white cut:

- 6 – 3 1/2" strips; cut into 64 – 3 1/2" squares
- 30 – hexagons from the 1 1/2" hexagon **cutting** template
- From the remaining fabric cut 5 bias strips for stems to make 1/2" bias strips

From the center background cut 1 – 33 1/2" square

From the toile cut:

- 3 – 6 1/2" strips; cut into 16 – 6 1/2" squares

From EACH of the 4 lights, cut 32 quarter circles from the **cutting** template.

Anna's Blooms

Page 3

From the light blue cut 64 quarter circles from the **cutting** template.

From EACH of the two dark blues cut:

6 – 3 ½” strips; cut into 64 – 3 ½” squares.

From dark blue for center applique cut 30 hexagons using the 1 ¼” **cutting** template.

From light blue for center applique cut:

5 hexagons using the 1 ¼” **cutting** template

1 vase accent applique (**seam allowances are NOT included on templates for applique)

From medium blue for center applique cut:

1 vase (**seam allowances are NOT included on templates for applique)

2 handles (one reversed) (**seam allowances are NOT included on templates for applique)

From inner border fabric cut 4 – 2” strips; cut into 2 – 33 ½” lengths and 2 – 36 ½” lengths

From outer border fabric cut 7 – 6 ½” strips

From the binding fabric cut 8 – 2 ¼” strips

Quilt Construction

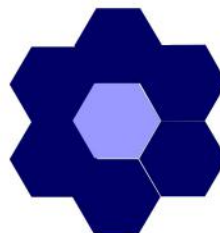
Begin by making the quilt center.

Use your preferred method of English Paper Piecing to make the hexagon flowers. The larger white hexagon rings sit behind the blue hexagon flowers and do not have a center.

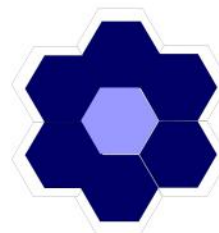
Make 5 white hexagon rings
from the 1 ½” hexagons



Make 5 hexagon flowers from the 1 ¼” light and dark blue hexagons.



Applique the blue hexagon flowers in the center of the white hexagon ring.



Anna's Blooms

Page 4

Make 5 – ½” bias stems using your preferred method (stitch and turn, bias bars, bias tape maker, etc).

Prepare the applique pieces for the vase, handles and vase accent. Remember, the templates included DO NOT include the seam allowances.

Lay out pieces on center background. Mark the boundaries at 33” square so you don't put your applique outside the finished size.

Applique stems first, then add flowers and vase.

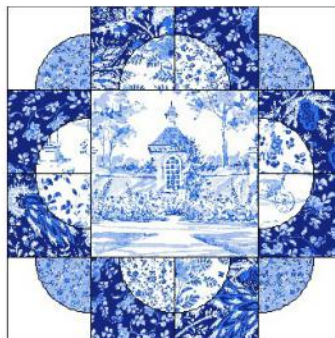
To make blocks, begin by making a mylar or freezer paper template using the quarter circle **sewing** template.

Iron the round edge of your fabric quarter circles around the curved edge of the template. Use starch or starch alternative for added stability.

Position prepared quarter circles on 3 ½” squares. Match square edges and pin turned edge well. Applique curve by hand or machine. Sew light blue quarter circles to white squares and light print quarter circles to dark blue squares.



Sew blocks together with the 6 ½” toile squares. Press seams open. Make 16 blocks.



Sew inner border strips to applique center, sides first, then top and bottom.

Sew pieced blocks into 2 rows of 3 blocks each and 2 rows of 5 blocks each.

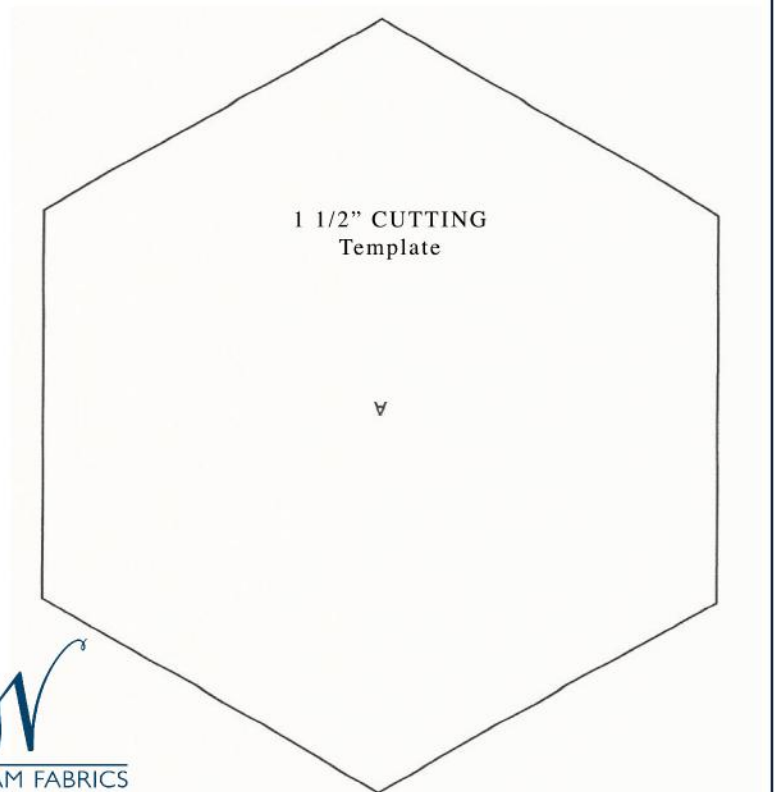
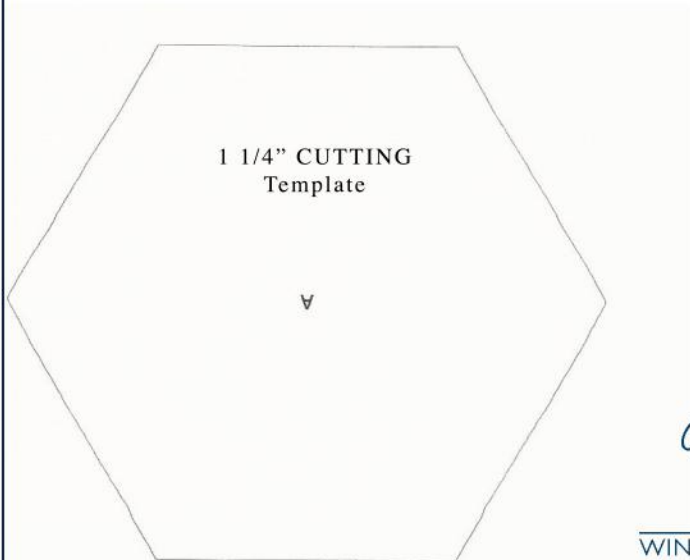
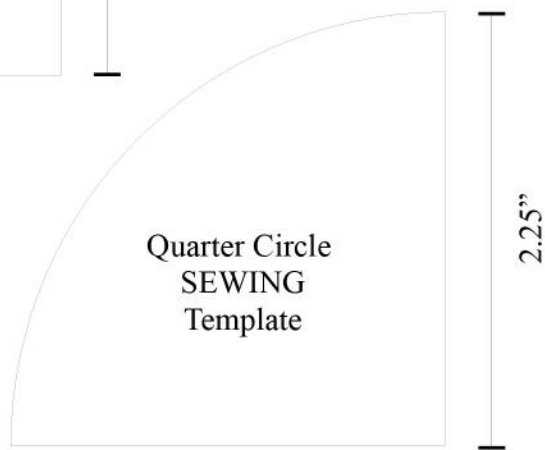
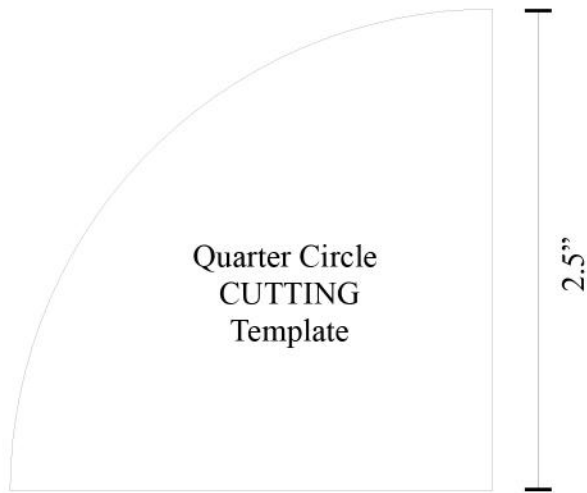
Sew to quilt center, sides first, then top and bottom.

Piece outer border strips together into one long strip. Measure quilt center from top to bottom and cut 2 strips to this length. They should be approximately 60 ½”. Pin well and sew to both sides of the quilt. Measure across quilt center, including the borders you just added and cut 2 strips to this length. They should be approximately 72 ½”. Pin well and sew to quilt top and bottom.

Quilt as desired and bind.

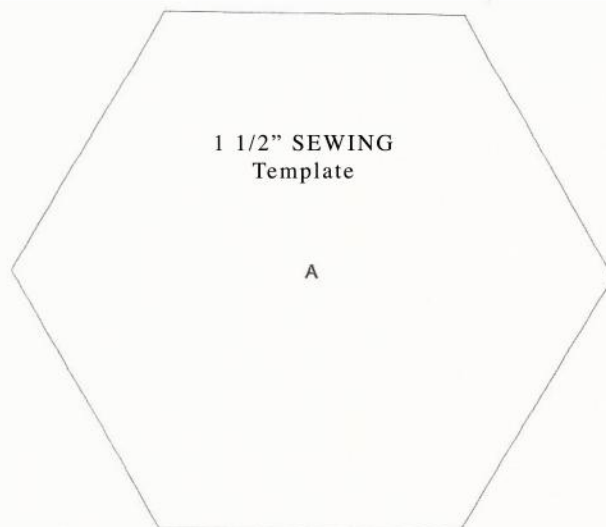
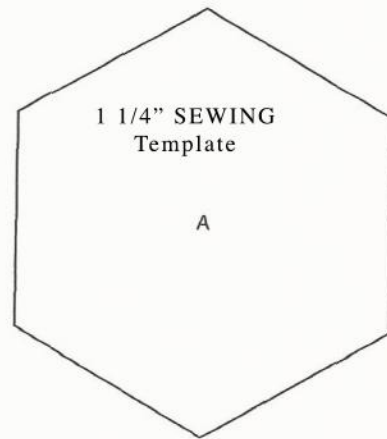
Anna's Blooms

Page 5



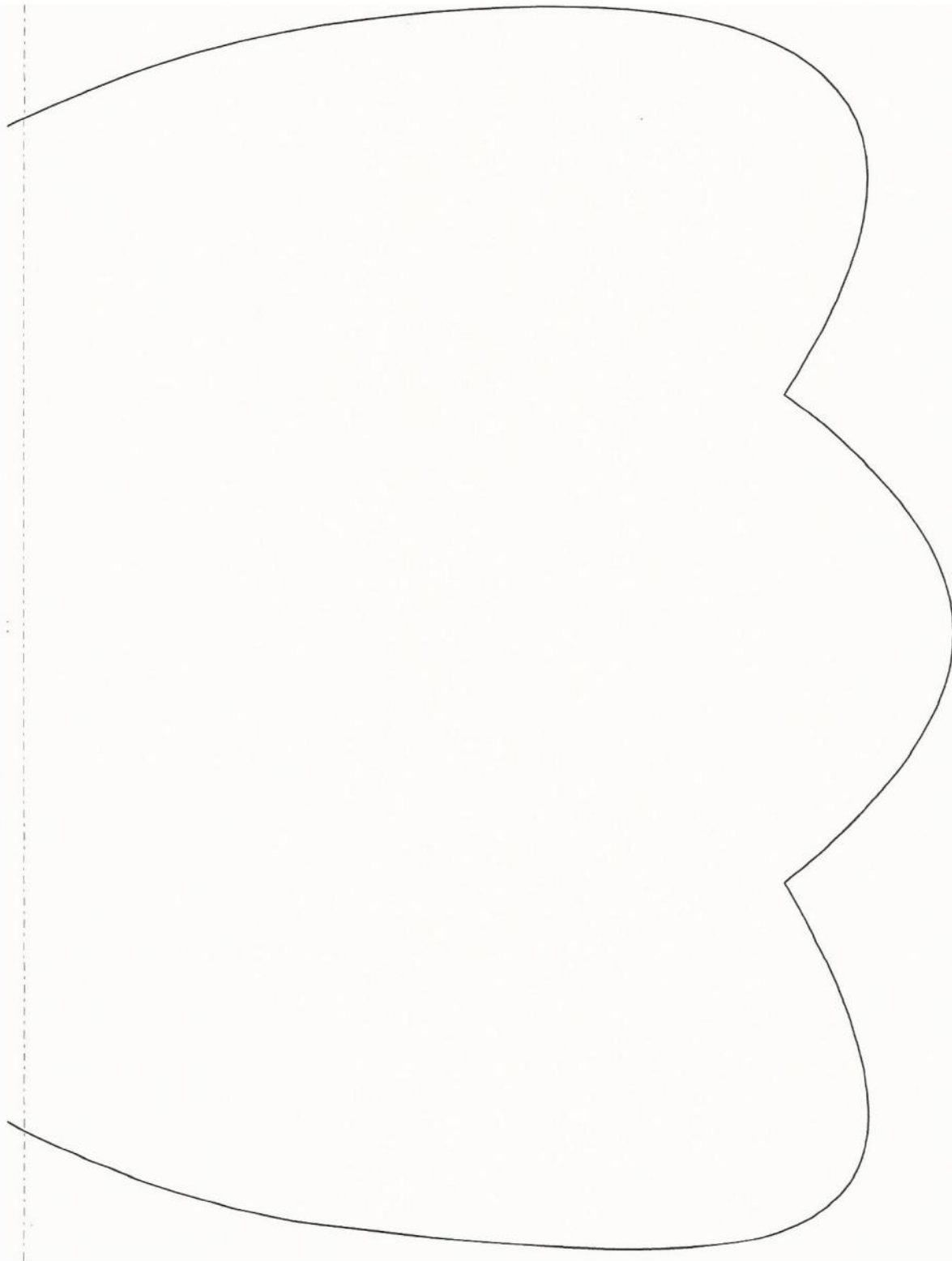
Anna's Blooms

Page 6



Anna's Blooms

Page 7



Anna's Blooms

Page 8

